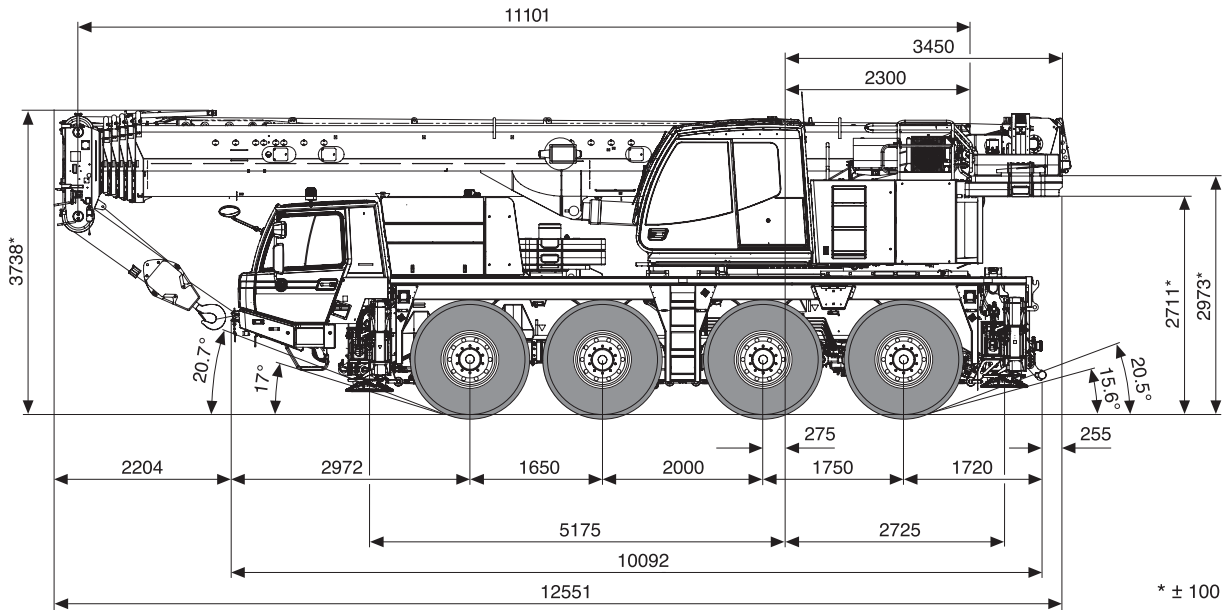


TK90

Hydraulische telescoopkraan

- Kraankengetal : 143
- Hijscapaciteit : 90 ton op 2,00 meter
- Max. mastlengte : 52,1 meter

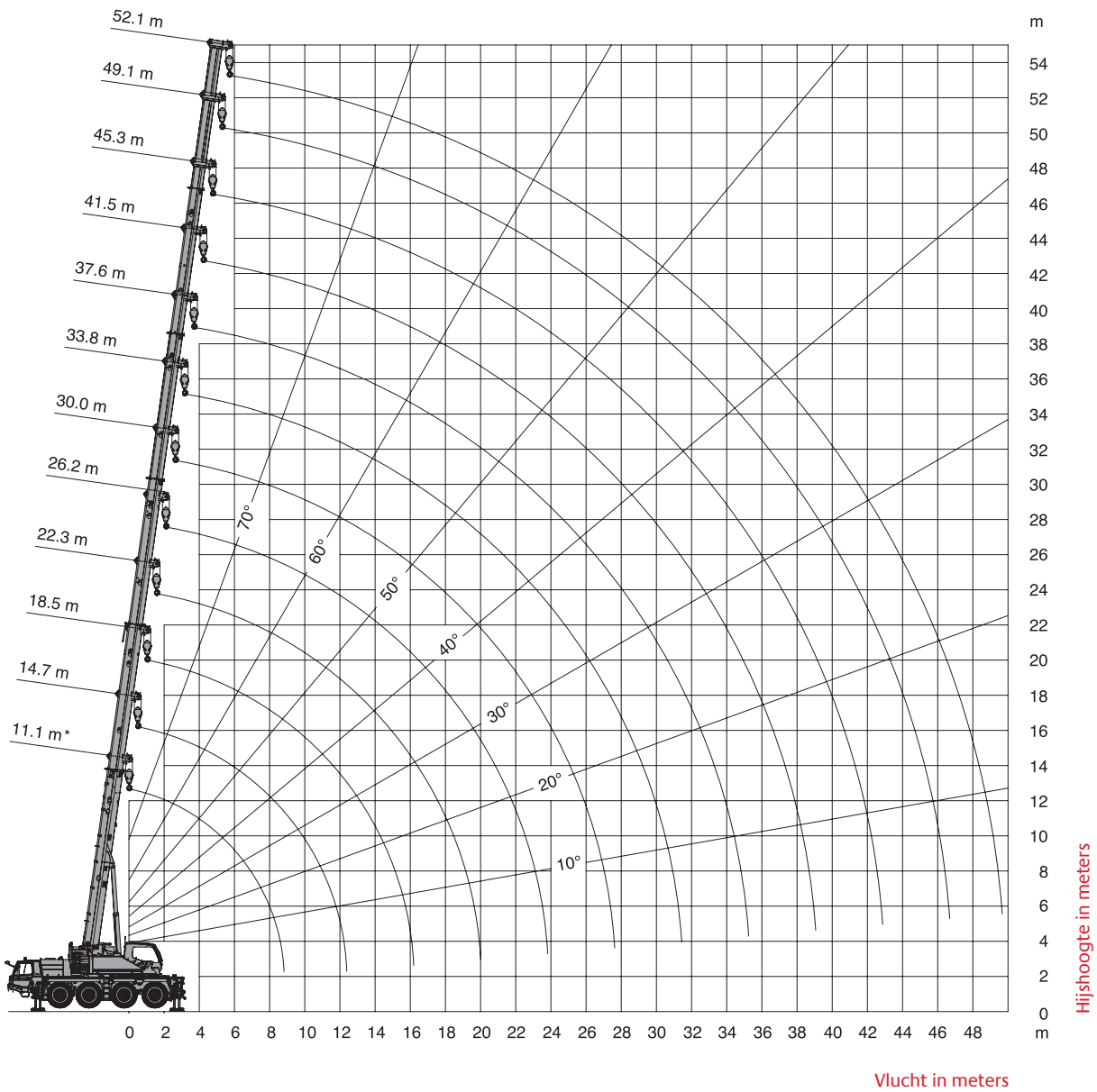


Hijstabel

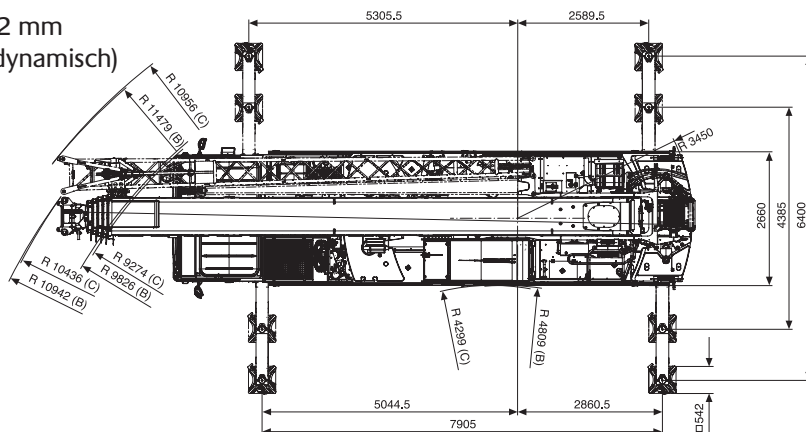
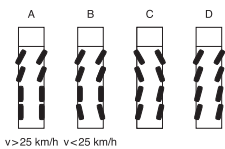
↑ m	11.1 m	11.1 m	14.7 m	18.5 m	22.3 m	26.2 m	30.0 m	33.8 m	37.6 m	41.5 m	45.3 m	49.1 m	52.1 m
2.0	90.0												
2.5	70.0	57.7											
3.0	59.3	52.5	50.4	49.0									
3.5	54.4	48.2	46.2	44.8	39.9								
4.0	50.2	44.4	42.6	41.3	39.9	30.8							
4.5	44.2	41.1	39.6	38.3	37.4	28.7	23.9						
5.0	39.5	37.4	37.2	35.7	34.9	26.9	23.9	17.6					
6.0	32.3	31.3	31.5	31.2	30.6	26.2	22.8	18.6	14.2				
7.0	27.2	26.8	26.9	26.6	26.7	26.0	20.8	18.6	14.2	10.6			
8.0	23.4	23.1	23.3	23.0	23.1	23.5	20.4	17.6	14.2	10.6	8.3		
9.0			20.6	20.0	20.1	20.5	19.0	16.4	14.2	10.6	8.3	6.8	
10.0			18.2	17.6	18.4	18.1	17.8	15.1	13.3	10.6	8.3	6.8	5.8
12.0			14.4	14.8	14.7	14.7	14.8	12.9	11.7	10.6	8.3	6.8	5.8
14.0				11.4	11.7	11.8	11.5	11.1	10.4	9.5	8.3	6.8	5.8
16.0				9.0	9.6	9.5	9.1	8.9	9.1	8.5	7.9	6.8	5.8
18.0					7.9	7.7	7.6	7.8	7.4	7.4	7.1	6.6	5.8
20.0					6.4	6.4	6.8	6.5	6.2	6.1	6.3	6.0	5.7
22.0						5.9	5.7	5.4	5.6	5.5	5.2	5.3	5.3
24.0							4.9	4.9	4.8	4.7	4.7	4.4	4.5
26.0							4.2	4.4	4.1	4.0	4.0	3.7	3.8
28.0								3.8	3.8	3.6	3.4	3.2	3.2
30.0								3.3	3.3	3.1	2.9	2.7	2.7
32.0									2.8	2.7	2.5	2.2	2.3
34.0									2.5	2.3	2.2	1.9	1.9
36.0										2.0	1.8	1.6	1.6
38.0										1.7	1.5	1.3	1.3
40.0											1.3	1.0	1.0
42.0											1.1	0.8	0.8
44.0												0.6	0.6

TK90

Hydraulische telescoopkraan



- Afm. stempelplaat : 542 x 542 mm
- Max. steunpuntdruk : 575 kN (dynamisch)



Kuiphuis Kraanverhuur BV

Correspondentieadres

Kampenstraat 16, 7575 EK Oldenzaal

E. info@kuiphuis.nl | www.kuiphuis.nl

KUIPHUIS
KRAANVERHUUR